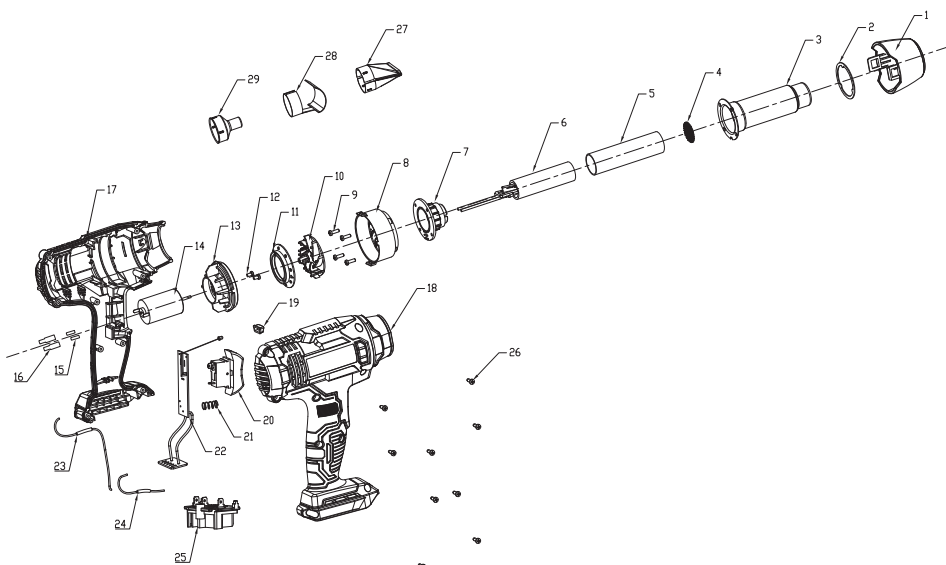


Explode Drawing of RDP-SHG20 Cordless Heat Gun



Spare Parts List

1.	Protective sleeve	1
2.	Location ring	1
3.	Duct	1
4.	Metal mesh	1
5.	Mica paper	2
6.	Frame	1
7.	Heat shield	1
8.	The wind hood	1
9.	Cross disk head screw M3X10	4
10.	The blades	1
11.	The wind leaf cover	1
12.	Cross pan head screw M2.6x5	2
13.	The motor bracket	1
14.	18 v - 380 motor	1
15.	Insert spring	2
16.	Transparent cover	2
17.	Gun shell	1
18.	Gun shell	1
19.	Transparent lampshade	1
20.	The power switch	1
21.	Switch on the spring	1
22.	Line control panel	1
23.	The wire	1
24.	The wire	1
25.	Insert seat assembly	1
26.	Cross grooved pan head self-tapping screw Type ST3X14	9
27.	accessories	1
28.	accessories	1
29.	accessories	1